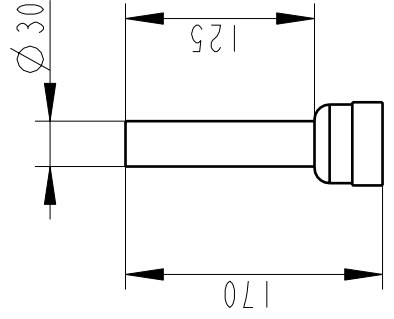
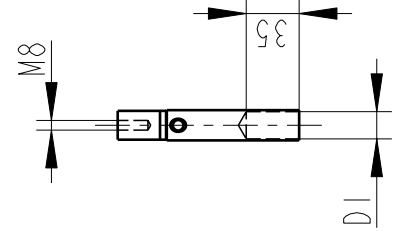


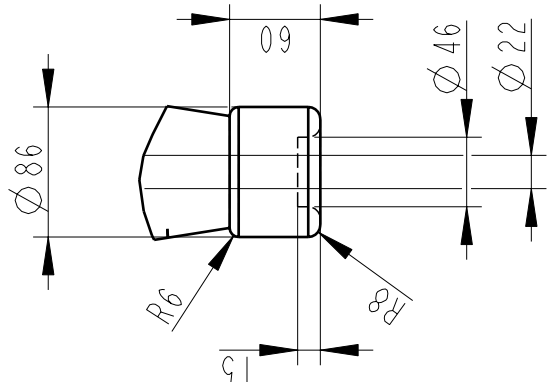
**OUTER TERMINAL**



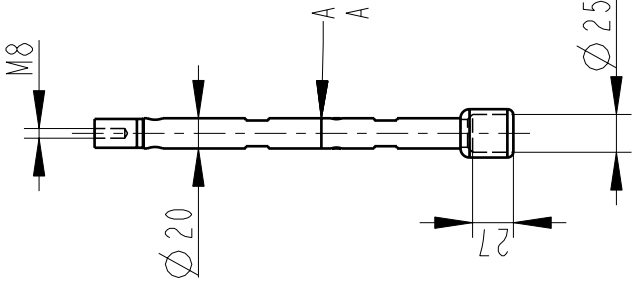
**INNER TERMINAL FOR STRANDED CABLE**



**END SHIELD**



**SOLID ROD CONNECTOR**



The solid rod can be divided either:  
 Alt.1: 20mm below the bushing flange or  
 Alt.2: 20mm below the upper end of the bottom porcelain

**Bushing Data:**

Rated Voltage	100	kV
Phase to Ground Voltage	72.5	kV
Dry Lightning Impulse 1,2/50 $\mu$ s	380	kV
Wet power frequency AC	150	kV
Routine test Imin dry 50Hz	162	kV
Rated Current	800	A
Creepage Distance	2210 $\pm$ 70	mm
Creepage Distance Protected	870	mm
Mass	33	kg

**Ordering Data:**

<b>BUSHING</b>	COLOUR AIR INSULATOR	
LF123037-K	BROWN	
-L	LIGHT GREY	
<b>OUTER TERMINAL</b>		
LF 170 002-A	Cu, $\varnothing 30$ , L=125	
LF 170 001-A	Al, $\varnothing 30$ , L=125	
OTHER TYPES ON REQUEST		
<b>INNER TERMINAL FOR STRANDED CABLE</b>		
<b>For brazing</b>	Conductor area	D1
LF 170 011-S	up to 150mm <sup>2</sup>	$\varnothing 18$
LF 170 011-U	Undrilled with pilot hole $\varnothing 5$	
<b>For crimping or brazing</b>	Conductor area	D1
LF 170 010-M	50mm <sup>2</sup>	$\varnothing 11$
LF 170 010-N	70mm <sup>2</sup>	$\varnothing 13$
LF 170 010-L	95mm <sup>2</sup>	$\varnothing 15$
<b>SOLID ROD CONNECTOR</b>		
LF 170 019 -M for Alt.1		
N/A for Alt.2		

<b>ABB Components</b> Luvia, Sweden	
No.	kg L mm V
Urdu	kV r
LI / SI / AC	A 50/60 Hz
M	kV
C1	mm V
C2	pf Tan $\delta$
	pf Tan $\delta$

Based on	Reg. No.
Prepared	Responsible department
Lövnord	COM/BK
Approved	Take over department
Johansson	Database
Design engineering review	
Hedlund	

Title	Language
GOB 380-800-0	82
WITHOUT OIL LEVEL GAUGE	Page
SHORT END SHIELD	I(1)
Document No.	
2751369-127	

**ABB** ABB Components

We reserve all rights in this document and in the information contained therein. Reproduction, use or disclosure to third parties without express authority is strictly forbidden.